
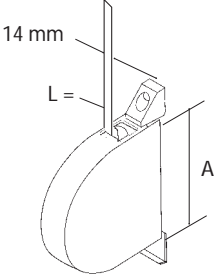

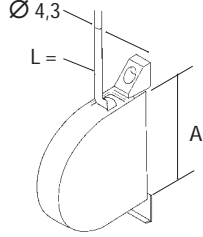

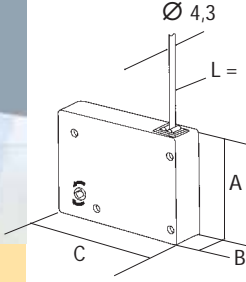

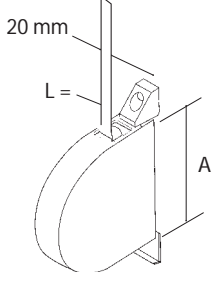





DISEGNO / DRAWING / DESSIN	DESCRIZIONE / DESCRIPTION / DESCRIPTION	CODICE ARTICOLO REFERENCE	DIMENSIONI DIMENSIONS DIMENSIONS	IMB. PCKG. EMB.	
 <p>COLORI DISPONIBILI AVAILABLE COLOURS COULEURS DISPONIBLES</p> <p> <input type="radio"/> BIANCO WHITE BLANC </p> <p> <input type="radio"/> MARRONE BROWN MARRON </p>	AVVOLGITORE MINI ORIENTABILE PER CINGHIA DA 14 mm. ADJUSTABLE MINI COILER FOR STRAP 14 mm. ENROULEUR MINI ORIENTABLE POUR GLISSIERE DE 14 mm	MAX 14 KG			
	SENZA CINTINO WITHOUT TAPE SANS SANGLE		500.160 ** 500.167 **	A=145 mm • L = mtl 5,0 A=145 mm • L = mtl 9,0	25 25
	CON CINTINO WITH TAPE AVEC SANGLE		501.160 ** 500.168 **	A=145 mm • L = mtl 5,0 A=145 mm • L = mtl 9,0	25 25
					
 <p>COLORI DISPONIBILI AVAILABLE COLOURS COULEURS DISPONIBLES</p> <p> <input type="radio"/> BIANCO WHITE BLANC </p> <p> <input type="radio"/> MARRONE BROWN MARRON </p>	AVVOLGITORE ORIENTABILE A CORDONE OUTSIDE STRAP BOX ENROULEUR ORIENTABLE A CORDE	MAX 18 KG			
	SENZA CORDONE WITHOUT BRAID SANS CORDON		500.161 ** 500.165 **	A=151 mm • L = mtl 5,0 A=196 mm • L = mtl 9,0	25 25
	CON CORDONE WITH BRAID AVEC CORDON		500.162 **	A=151 mm • L = mtl 5,0	25
					
 <p>COLORI DISPONIBILI AVAILABLE COLOURS COULEURS DISPONIBLES</p> <p> <input type="radio"/> BIANCO WHITE BLANC </p> <p> <input type="radio"/> MARRONE BROWN MARRON </p>	ARGANELLO A CORDONE 1:3 BRAID WINCH 1:3 TREUIL A CORDE 1:3	MAX 14 KG			
	SENZA CORDONE WITHOUT BRAID SANS CORDON		500.163 **	A = 120 mm B = 32 mm C = 152 mm L = mtl. 5,0	25
	CON CORDONE WITH BRAID AVEC CORDON		500.164 **	A = 120 mm B = 32 mm C = 152 mm L = mtl. 5,0	25
					
 <p>COLORI DISPONIBILI AVAILABLE COLOURS COULEURS DISPONIBLES</p> <p> <input type="radio"/> BIANCO WHITE BLANC </p> <p> <input type="radio"/> MARRONE BROWN MARRON </p>	AVVOLGITORE ORIENTABILE PER CINGHIA DA 20 mm. ADJUSTABLE COILER FOR STRAP 20 mm. ENROULEUR ORIENTABLE POUR GLISSIERE DE 20 mm	MAX 18 KG			
	SENZA CINTINO WITHOUT TAPE SANS SANGLE		502.174 **	A = 195 mm L = mtl 6,0	25
	CON CINTINO WITH TAPE AVEC SANGLE		502.175 **	A = 195 mm L = mtl 6,0	25
					



DISEGNO / DRAWING / DESSIN	DESCRIZIONE / DESCRIPTION / DESCRIPTION	CODICE ARTICOLO REFERENCE	DIMENSIONI DIMENSIONS DIMENSIONS	IMB. PKKG. EMB.				
	<p>AVVOLGITORE DA INCASSO SIPAR PER INFESSI IN ALLUMINIO COMPLETO DI PLACCA ART. 52*.165 INSIDE STRAP COILER SIPAR FOR ALUMINIUM FRAMES WITH PLATE ART. 52*.165 ENROULEUR A ENCAISSER SIPAR POUR CADRE EN ALUMINIUM COMPLET DE PLAQUE REF. 52*.165</p> 	<p>504.165**</p> <p>505.165**</p>	<p>A = 165 mm • L = mtl 5,0</p> <p>A = 165 mm • L = mtl 8,0</p>	<p>50</p> <p>50</p> <p>50</p>				
	<p>AVVOLGITORE DA INCASSO STANDARD IN ACCIAIO ZINCATO PER CINGHIA mm. 22 INSIDE ZINC-PLATED STEEL STANDARD COILER FOR STRAP mm. 22 ENROULEUR A ENCAISSER STANDARD EN ACIER ZINGUE POUR GLISSIERE 22 mm</p> <p>UTILIZZARE PLACCA IN ACCIAIO ART. 517*** TO BE USED WITH THE STEEL PLATE ART. 517*** A MONTER AVEC LA PLAQUE EN ACIER ART. 517***</p> 	<p>503.142</p> <p>507.165</p> <p>508.165</p> <p>509.165</p> <p>510.185</p> <p>511.185</p> <p>512.185</p>	<p>A = 142 - L = mtl. 4</p> <p>A = 165 - L = mtl. 6</p> <p>A = 165 - L = mtl. 8</p> <p>A = 165 - L = mtl. 12</p> <p>A = 185 - L = mtl. 6</p> <p>A = 185 - L = mtl. 8</p> <p>A = 185 - L = mtl. 12</p>	<p>50</p> <p>50</p> <p>50</p> <p>50</p> <p>50</p> <p>50</p> <p>50</p>				
	<p>PLACCA IN ACCIAIO PER AVVOLGITORI DA INCASSO STEEL COVERING PLATE FOR INSIDE STRAP COILERS PLAQUE EN ACIER POUR ENROULEURS A ENCAISSER</p> 	<p>517.165</p> <p>517.185</p> <p>518.142</p>	<p>A = 165 mm</p> <p>A = 185 mm</p> <p>A = 142 mm</p>	<p>50</p> <p>50</p> <p>50</p>				
	<p>PLACCA IN ALLUMINIO PER AVVOLGITORE DA INCASSO SIPAR ALUMINIUM COVERING PLATE FOR STRAP COILER PLAQUE EN ALUMINIUM POUR ENROULEUR A ENCAISSER</p> <p>PER ART. FOR CODE POUR REF. 504.165** / 505.165**</p> <p>COLORI DISPONIBILI / AVAILABLE COLOURS COULEURS DISPONIBLES</p> <table border="0"> <tr> <td> BIANCO WHITE BLANC</td> <td> NERO BLACK NOIR</td> <td> ARGENTO SILVER ARGENT</td> <td> ORO GOLD OR</td> </tr> </table> 	 BIANCO WHITE BLANC	 NERO BLACK NOIR	 ARGENTO SILVER ARGENT	 ORO GOLD OR	<p>520.165**</p> <p>521.165**</p>	<p>A = 165 mm • L = mtl 5,0</p> <p>A = 165 mm • L = mtl 8,0</p>	<p>50</p> <p>50</p>
 BIANCO WHITE BLANC	 NERO BLACK NOIR	 ARGENTO SILVER ARGENT	 ORO GOLD OR					



DISEGNO / DRAWING / DESSIN	DESCRIZIONE / DESCRIPTION / DESCRIPTION	CODICE ARTICOLO REFERENCE	DIMENSIONI DIMENSIONS DIMENSIONS	IMB. PCKG. EMB.
	<p>CASSETTA IN PLASTICA A MURARE PLASTIC BOX TO WALL CASSETTE EN PLASTIQUE A MURER</p> 	<p>525.165 526.165 527.165 528.185 529.185 530.185</p>	<p>A = 165 - L = 190 - mt. 6 A = 165 - L = 190 - mt. 8 A = 165 - L = 230 - mt. 12 A = 185 - L = 205 - mt. 8 A = 185 - L = 205 - mt. 10 A = 185 - L = 253 - mt. 12</p>	<p>100 100 100 100 100 100</p>
	<p>CASSETTA IN PLASTICA PER AVVOLGITORI SIPAR PLASTIC BOX FOR STRAP COILERS SIPAR CASSETTE EN PLASTIQUE POUR ENROULEURS SIPAR</p>  <p>PER ART. FOR CODE POUR REF. 504**</p>	<p>541.130</p>	<p>A = 165</p>	<p>50</p>
	<p>CASSETTA IN PLASTICA PER MONOBLOCCO PLASTIC BOX FOR STRAP COILERS SIPAR CASSETTE EN PLASTIQUE POUR MONOBLOC</p>  <p>PER ART. FOR CODE POUR REF. 504**</p>	<p>541.165</p>	<p>A = 165</p>	<p>50</p>
	<p>CASSETTA IN PLASTICA PER MONOBLOCCO PLASTIC BOX FOR STRAP COILERS SIPAR CASSETTE EN PLASTIQUE POUR MONOBLOC</p>  <p>PER ART. FOR CODE POUR REF. 503.142</p>	<p>542.142</p>	<p>A = 140</p>	<p>50</p>



ARGOMAX⁶⁰⁰



ARGANELLO CON FINE CORSA
 CASSA IN MATERIALE TECNOPLASTICO
 POLIAMIDE AD ALTA RESISTENZA

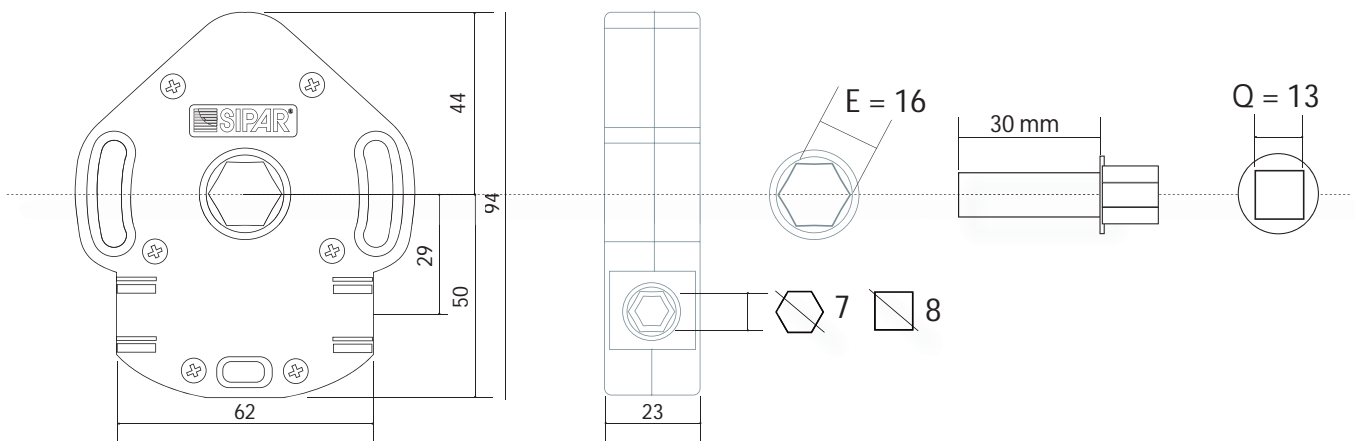
GEAR WITH END STROKE
 THE CASE IS IN TECNOPLASTIC POLYAMIDE
 MATERIAL OF HIGH RESISTANCE

TREUIL AVEC FIN DE COURSE
 LA CAISSE EST EN MATERIEL
 TECNOPLASTIQUE POLYAMIDE
 DE HAUTE RESISTANCE



- | | | | |
|---|---------------------------|--------------------|----|
| 8 | RAP: 1:6 MAX. IMP. KG 20 | 610.06Q8CFN | 25 |
| | RAP: 1:8 MAX. IMP. KG 25 | 610.08Q8CFN | 25 |
| | RAP: 1:11 MAX. IMP. KG 35 | 610.11Q8CFN | 25 |
| | RAP: 1:18 MAX. IMP. KG 40 | 610.18Q8CFN | 25 |
| 7 | RAP: 1:6 MAX. IMP. KG 20 | 610.06E7CFN | 25 |
| | RAP: 1:8 MAX. IMP. KG 25 | 610.08E7CFN | 25 |
| | RAP: 1:11 MAX. IMP. KG 35 | 610.11E7CFN | 25 |
| | RAP: 1:18 MAX. IMP. KG 40 | 610.18E7CFN | 25 |

CODICE ARTICOLO REFERENCE	DIMENSIONI DIMENSIONS DIMENSIONS	IMB. PCKG. EMB.
610.06Q8CFN		25
610.08Q8CFN		25
610.11Q8CFN		25
610.18Q8CFN		25
610.06E7CFN		25
610.08E7CFN		25
610.11E7CFN		25
610.18E7CFN		25





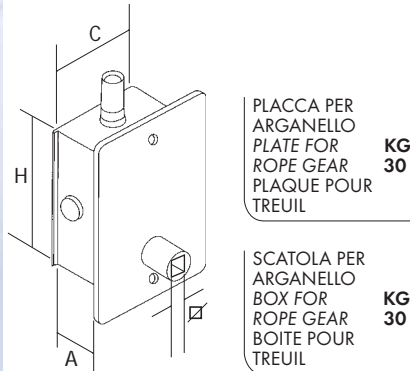
DISEGNO / DRAWING / DESSIN	DESCRIZIONE / DESCRIPTION / DESCRIPTION	CODICE ARTICOLO REFERENCE	DIMENSIONI DIMENSIONS DIMENSIONS	IMB. PCKG. EMB.
----------------------------	---	---------------------------	----------------------------------	-----------------



COLORI DISPONIBILI • AVAILABLE COLOURS • COULEURS DISPONIBLES

BIANCO WHITE BLANC
 CREMA IVORY CREME

ARGANELLO DA INCASSO A FUNE
 CON PLACCA IN ALLUMINIO E SCATOLA
 INSIDE ROPE GEAR WITH
 ALUMINIUM COVERING PLATE AND BOX
 TREUIL A ENCAISSER A CORDE
 AVEC PLAQUE EN ALUMINIUM ET BOITE



Dimensioni/Dimensions/Dimensions:

606.103	A = 42	H = 103	C = 53
606.111	A = 42	H = 111	C = 72
606.144	A = 62	H = 142	C = 75
606.140	A = 52	H = 140	C = 85
607.140	A = 52	H = 140	C = 85

606.103**

RA. 1:10 KG 30

25

606.111**

RA. 1:10 KG 40

25

606.144**

RA. 1:10 KG 50

25

606.140**

RA. 1:20 KG 80

20


607.140**

RA. 1:25 KG 100

20

606.103P

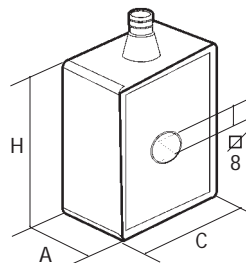
606.103S



COLORI DISPONIBILI • AVAILABLE COLOURS • COULEURS DISPONIBLES

BIANCO WHITE BLANC
 CREMA IVORY CREME

ARGANELLO PER ESTERNO A FUNE
 CON PLACCA IN ALLUMINIO E SCATOLA
 OUTSIDE ROPE GEAR WITH
 ALUMINIUM COVERING PLATE AND BOX
 TREUIL POUR EXTERIEUR A CORDE
 AVEC PLAQUE EN ALUMINIUM ET BOITE



Dimensioni/Dimensions/Dimensions:

608.102	A = 35	H = 102	C = 60
608.112	A = 49	H = 112	C = 72
608.144	A = 59	H = 144	C = 89
609.144	A = 59	H = 144	C = 89

608.102**

RA. 1:10 KG 30

25

608.112**

RA. 1:10 KG 40

25

608.144**


RA. 1:20 KG 80

20

609.144**

RA. 1:25 KG 100

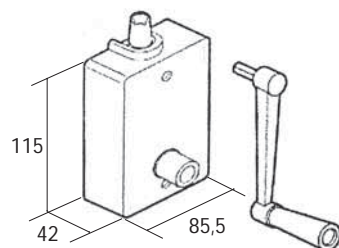
20



COLORI DISPONIBILI • AVAILABLE COLOURS • COULEURS DISPONIBLES

BIANCO WHITE BLANC
 CREMA IVORY CREME

ARGANELLO PER ESTERNO A FUNE
 COMPLETO DI MANIGLIA
 OUTSIDE ROPE GEAR WITH
 ITEM SUPPLIED WITH HANDLE
 TREUIL POUR EXTERIEUR A CORDE
 PRODUIT LIVRE AVEC MANIVELLE



611.115

PORTATA LORDA
 LIFTING CAPACITY
 FORCE DE LEVAGE

20

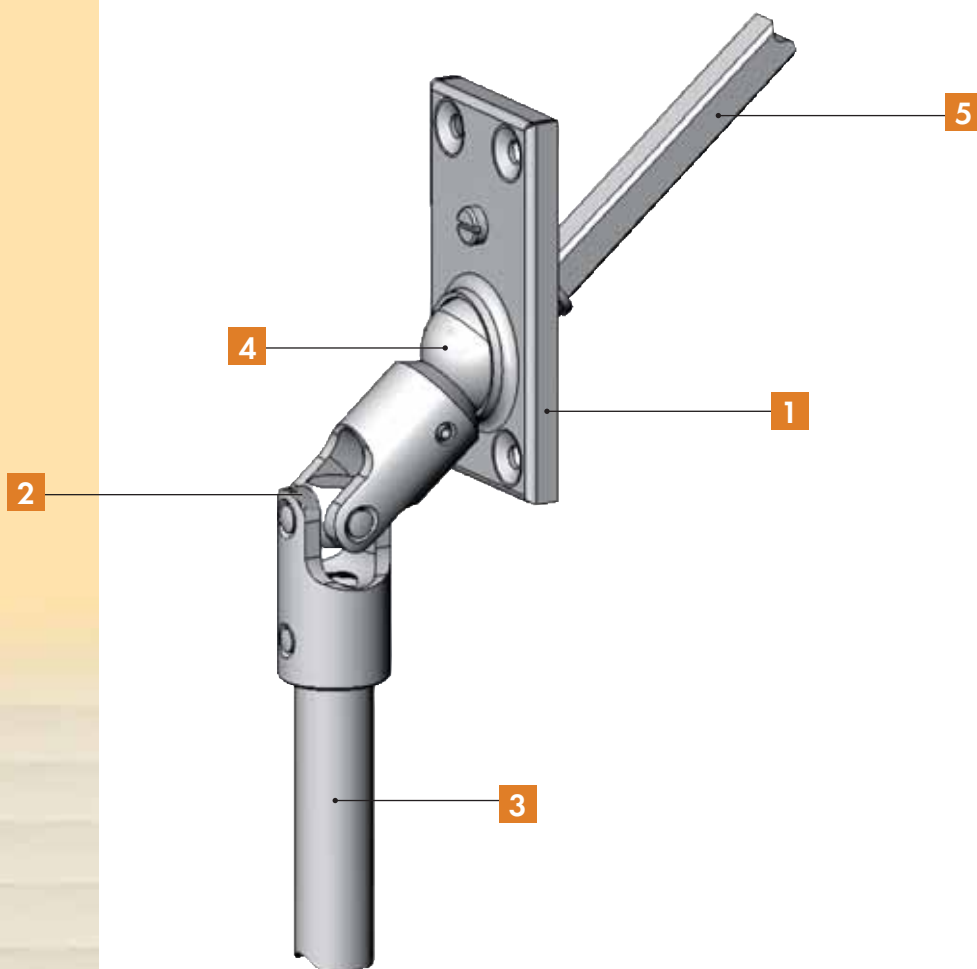
MAX KG 40

COPERTURA
 IN PLASTICA
 PLASTIC
 COVERAGE
 ENCADREMENT
 EN PLASTIQUE

SNODO A 45°
 CON SISTEMA ROTANTE
 AD ANGOLAZIONE
 VARIABILE

JOINT 45° WITH
 ROTARY SYSTEM AT
 VARYING ANGULATION

GENOUILLERE A 45°
 AVEC SYSTEME ROTATIF
 A ANGLE VARIABLE

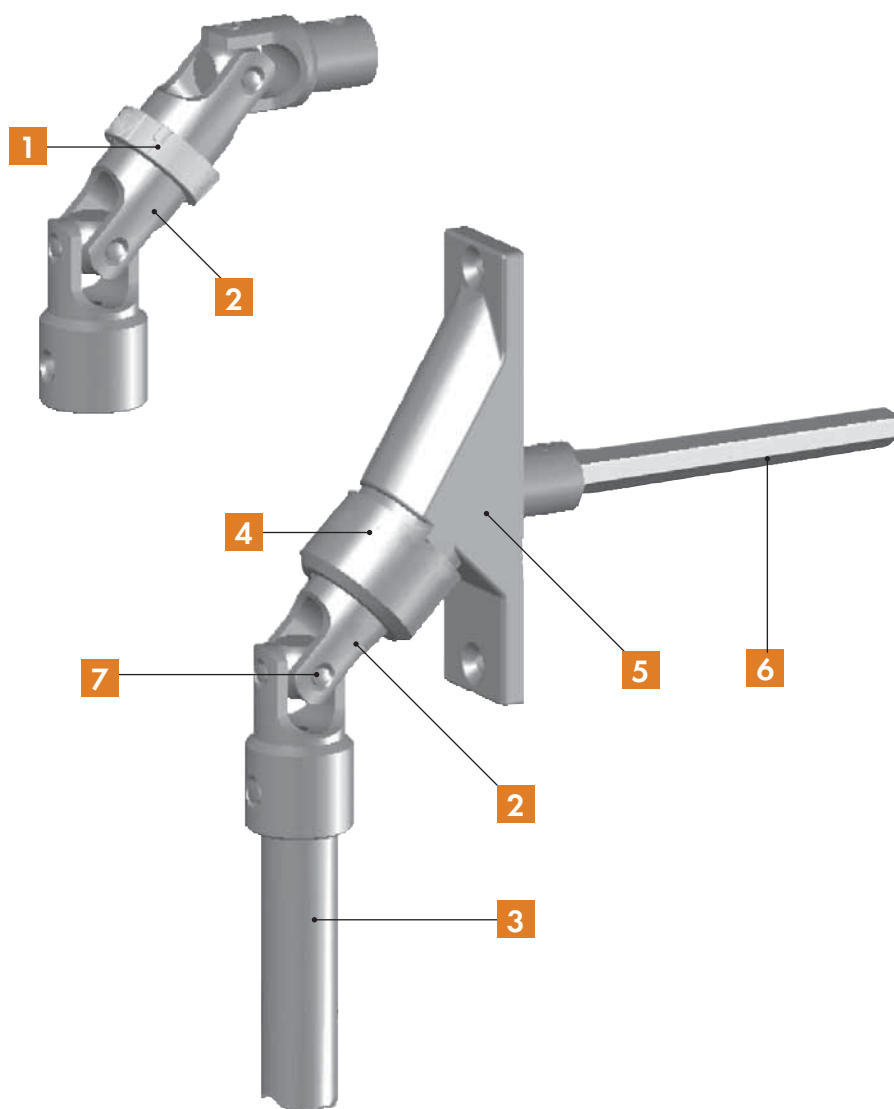


- 1) PLACCA DI FISSAGGIO IN ACCIAIO INOX
 PLATE IN STAINLESS STEEL
 PLAQUE DE FIXAGE EN ACIER INOX
- 2) SNODO A 45° IN ACCIAIO CROMATO
 JOINT 45° IN HARDENED CHROMATED STEEL
 GENOUILLERE A 45° EN ACIER CHROME
- 3) TUBO IN ACCIAIO RIVESTITO CON TUBO IN PVC
 PLASTIC-COATED STEEL TUBE
 TUBE IN ACIER REVETI DE TUBE PVC
- 4) POMELLO ROTANTE AD ANGOLAZIONE VARIABILE IN NYLON
 ROTARY KNOB IN NYLON WITH VARYING ANGULATION
 POMMEAU ROTATIF A ANGLE VARIABLE EN NYLON
- 5) ASTINA DI COLLEGAMENTO IN ACCIAIO ZINCATO
 CONNECTING ROD IN ZINCATE STEEL
 BRANCHE DE CONNECTION EN ACIER ZINGUE

SNODO A 90°
 CON ESCLUSIVO SISTEMA
 ANTIUSURA IN ACCIAIO
 AL CARBONIO
 CON ELEVATA RESISTENZA,
 LUNGA DURATA, MANOVRE
 SILENZIOSE E VELLUTATE

JOINT 90° WITH THE NEW
 SYSTEM ANTI-WEARING
 CARBON STEEL IT'S A VERY
 STRONG AND WEAR
 WELL THAT PERMITS
 SILENT CONTROLS.

GENOUILLE A 90°
 AVEC SYSTEME ESCLUSIF
 ANTI-USURE EN ACIER DE
 CARBONE HAUTE RESISTANCE,
 LONGUE DUREE, MANOEUVRE
 SILENCIEUSE.



- 1) SISTEMA ANTIUSURA IN ACCIAIO AL CARBONIO NICHELATO
 ANTI-WEAR SYSTEM IN CARBON-NICKELED STEEL
 SYSTEME ANTI USURE EN ACIER DE CARBONE NICKELE
- 2) SNODO A 90° IN ACCIAIO TEMPRATO NICHELATO
 JOINT 90° IN HARDENED NICKELED STEEL
 GENOUILLE A 90° EN ACIER TREMPTE NICKELE
- 3) TUBO IN ACCIAIO RIVESTITO CON TUBO IN PVC
 PLASTIC-COATED STEEL TUBE
 TUBE IN ACIER REVETI DE TUBE PVC
- 4) GHIERA IN LEGA DI ZINCO NICHELATA
 RING IN ZINC NICKELED ALLOY
 EMBOUT EN ALLIAGE DE ZINC NICKELE
- 5) SUPPORTO IN LEGA DI ZINCO NICHELATA
 PLATE IN ZINC NICKELED ALLOY
 SUPPORT EN ALLIAGE DE ZINC NICKELE
- 6) ASTINA DI COLLEGAMENTO IN ACCIAIO ZINCATO
 CONNECTING ROD IN ZINCATE STEEL
 BRANCHE DE CONNECTION EN ACIER ZINGUE
- 7) PERNI IN ACCIAIO INOX
 PIVOT IN STAINLESS STEEL
 PIVOT EN ACIER INOX

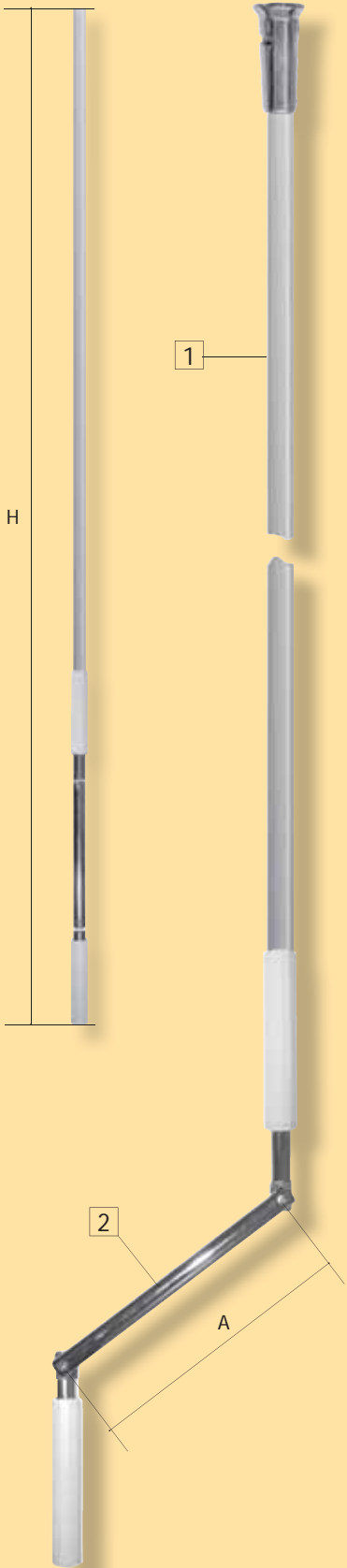


DISEGNO / DRAWING / DESSIN	DESCRIZIONE / DESCRIPTION / DESCRIPTION	CODICE ARTICOLO REFERENCE	DIMENSIONI DIMENSIONS DIMENSIONS	IMB. PKKG. EMB.
<p>1 ASTA DI MANOVRA CON SNODO 45° HANDLE WITH JOINT 45° TRINGLE AVEC SORTIE 45°</p> <p>1 TUBO IN ACCIAIO RIVESTITO CON TUBO PVC PLASTIC-COATED STEEL TUBE TUBE EN ACIER REVETI AVEC TUBE PVC</p> <p>2 MANIGLIA IN LEGA DI ALLUMINIO HANDLE IN ALUMINIUM ALLOY MANIVELLE EN ALLIAGE D'ALUMINIUM</p> <p>A RICHIESTA CON PLACCA IN LEGA DI ALLUMINIO ON REQUEST THIS ITEM CAN BE SUPPLIED WITH PLATE IN ALUMINIUM ALLOY SUR DEMANDE ON PEUT LE PRODUIR AVEC PLAQUE EN ALLIAGE D'ALUMINIUM</p> <p>COLORI DISPONIBILI / AVAILABLE COLOURS COULEURS DISPONIBLES</p> <ul style="list-style-type: none"> <li style="margin-right: 10px;"> BIANCO WHITE BLANC <li style="margin-right: 10px;"> NERO BLACK NOIR <li style="margin-right: 10px;"> GRIGIO GREY GRIS <li style="margin-right: 10px;"> MARRONE BROWN MARRON 	<p>$\varnothing 8$</p> <p>D = $\varnothing 6$ mm. $\varnothing 8$ mm. $\text{E} 7$ mm.</p> <p>$\text{E} 7$</p> <p>36</p> <p>70</p> <p>27</p> <p>52</p>	<p>700.150Q8**</p> <p>700.170Q8**</p> <p>700.180Q8**</p> <p>700.220Q8**</p> <p>700.300Q8**</p>	<p>A = 165 mm. L = 250 mm. D = $\varnothing 8$ mm. H = 1500 mm.</p> <p>A = 165 mm. L = 250 mm. D = $\varnothing 8$ mm. H = 1700 mm.</p> <p>A = 165 mm. L = 250 mm. D = $\varnothing 8$ mm. H = 1800 mm.</p> <p>A = 165 mm. L = 250 mm. D = $\varnothing 8$ mm. H = 2200 mm.</p> <p>A = 165 mm. L = 250 mm. D = $\varnothing 8$ mm. H = 3000 mm.</p>	<p>20</p> <p>20</p> <p>20</p> <p>20</p> <p>20</p>
	<p>$\text{E} 7$</p>	<p>700.150E7**</p> <p>700.170E7**</p> <p>700.180E7**</p> <p>700.220E7**</p> <p>700.300E7**</p>	<p>A = 165 mm. L = 250 mm. D = $\text{E} 7$ mm. H = 1500 mm.</p> <p>A = 165 mm. L = 250 mm. D = $\text{E} 7$ mm. H = 1700 mm.</p> <p>A = 165 mm. L = 250 mm. D = $\text{E} 7$ mm. H = 1800 mm.</p> <p>A = 165 mm. L = 250 mm. D = $\text{E} 7$ mm. H = 2200 mm.</p> <p>A = 165 mm. L = 250 mm. D = $\text{E} 7$ mm. H = 3000 mm.</p>	<p>20</p> <p>20</p> <p>20</p> <p>20</p> <p>20</p>

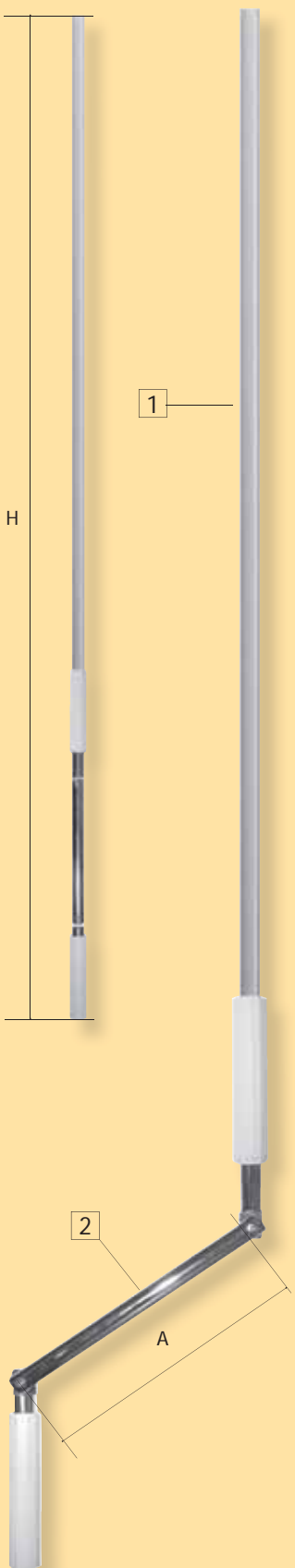


DISEGNO / DRAWING / DESSIN	DESCRIZIONE / DESCRIPTION / DESCRIPTION	CODICE ARTICOLO REFERENCE	DIMENSIONI DIMENSIONS DIMENSIONS	IMB. PCKG. EMB.	
	<p>$D = \varnothing 6 \text{ mm.}$ $\varnothing 8 \text{ mm.}$ $\text{E} 7 \text{ mm.}$</p> <p>ASTA DI MANOVRA CON SNODO 90° HANDLE WITH JOINT 90° TRINGLE AVEC SORTIE 90°</p> <p>1 TUBO IN ACCIAIO RIVESTITO CON TUBO PVC PLASTIC-COATED STEEL TUBE TUBE EN ACIER REVETI AVEC TUBE PVC</p> <p>2 MANIGLIA IN LEGA DI ALLUMINIO HANDLE IN ALUMINIUM ALLOY MANIVELLE EN ALLIAGE D'ALUMINIUM</p>	<p>701.150Q8**</p> <p>701.170Q8**</p> <p>701.180Q8**</p> <p>701.220Q8**</p> <p>701.300Q8**</p>	<p>A = 165 mm. L = 400 mm. D = $\varnothing 8 \text{ mm.}$ H = 1500 mm.</p> <p>A = 165 mm. L = 400 mm. D = $\varnothing 8 \text{ mm.}$ H = 1700 mm.</p> <p>A = 165 mm. L = 400 mm. D = $\varnothing 8 \text{ mm.}$ H = 1800 mm.</p> <p>A = 165 mm. L = 400 mm. D = $\varnothing 8 \text{ mm.}$ H = 2200 mm.</p> <p>A = 165 mm. L = 400 mm. D = $\varnothing 8 \text{ mm.}$ H = 3000 mm.</p>	<p>20</p> <p>20</p> <p>20</p> <p>20</p> <p>20</p>	
	<p>$\text{E} 7$</p>	<p>701.150E7**</p> <p>701.170E7**</p> <p>701.180E7**</p> <p>701.220E7**</p> <p>701.300E7**</p>	<p>A = 165 mm. L = 400 mm. D = $\text{E} 7 \text{ mm.}$ H = 1500 mm.</p> <p>A = 165 mm. L = 400 mm. D = $\text{E} 7 \text{ mm.}$ H = 1700 mm.</p> <p>A = 165 mm. L = 400 mm. D = $\text{E} 7 \text{ mm.}$ H = 1800 mm.</p> <p>A = 165 mm. L = 400 mm. D = $\text{E} 7 \text{ mm.}$ H = 2200 mm.</p> <p>A = 165 mm. L = 400 mm. D = $\text{E} 7 \text{ mm.}$ H = 3000 mm.</p>	<p>20</p> <p>20</p> <p>20</p> <p>20</p> <p>20</p>	
	<p>COLORI DISPONIBILI / AVAILABLE COLOURS COULEURS DISPONIBLES</p> <p> <input type="radio"/> BIANCO WHITE BLANC <input type="radio"/> NERO BLACK NOIR <input type="radio"/> GRIGIO GREY GRIS <input type="radio"/> MARRONE BROWN MARRON </p>				

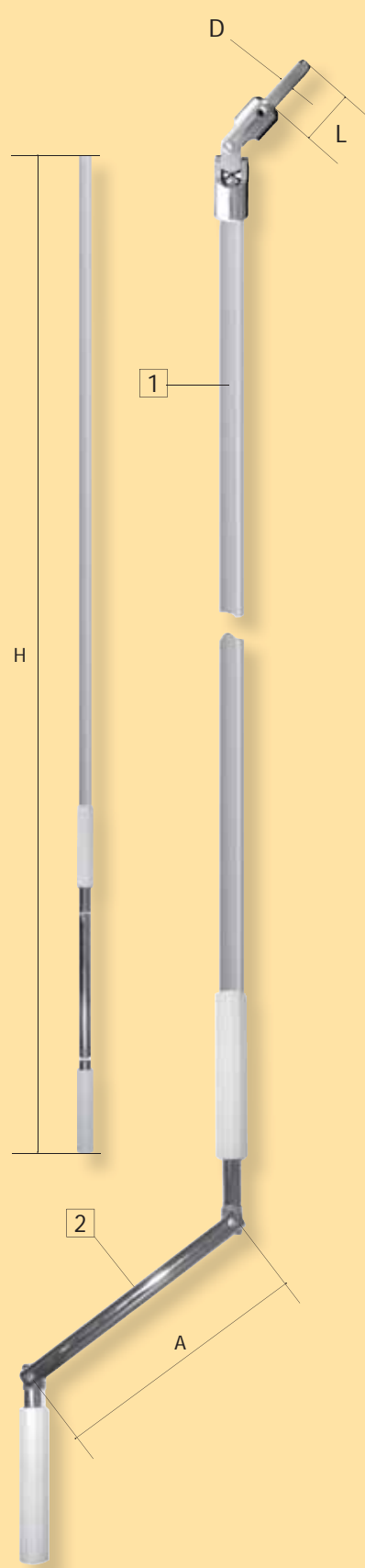














DISEGNO / DRAWING / DESSIN	DESCRIZIONE / DESCRIPTION / DESCRIPTION	CODICE ARTICOLO REFERENCE	DIMENSIONI DIMENSIONS DIMENSIONS	IMB. PCKG. EMB.
	<p>ASTA DI MANOVRA SNODATA CON CAMPANA HANDLE WITH JOINT TRINGLE AVEC CLOCHE</p> <p>1 TUBO IN ACCIAIO RIVESTITO CON TUBO PVC PLASTIC-COATED STEEL TUBE TUBE EN ACIER REVETI AVEC TUBE PVC</p> <p>2 MANIGLIA IN LEGA DI ALLUMINIO HANDLE IN ALUMINIUM ALLOY MANIVELLE EN ALLIAGE D'ALUMINIUM</p>	<p>711.151**</p> <p>711.170**</p> <p>711.180**</p> <p>711.220**</p> <p>711.300**</p>	<p>A = 165 mm. H = 1500 mm.</p> <p>A = 165 mm. H = 1700 mm.</p> <p>A = 165 mm. H = 1800 mm.</p> <p>A = 165 mm. H = 2200 mm.</p> <p>A = 165 mm. H = 3000 mm.</p>	<p>20</p> <p>20</p> <p>20</p> <p>20</p> <p>20</p>
	<p>COLORI DISPONIBILI / AVAILABLE COLOURS COULEURS DISPONIBLES</p> <p> <input type="radio"/> BIANCO WHITE BLANC <input type="radio"/> NERO BLACK NOIR <input type="radio"/> GRIGIO GREY GRIS <input type="radio"/> MARRONE BROWN MARRON </p>			

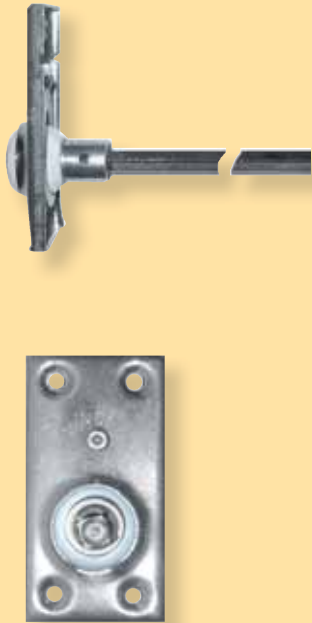
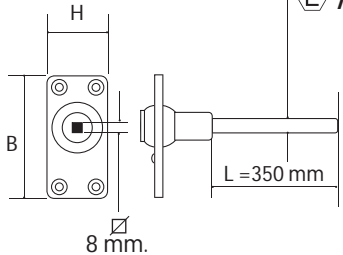
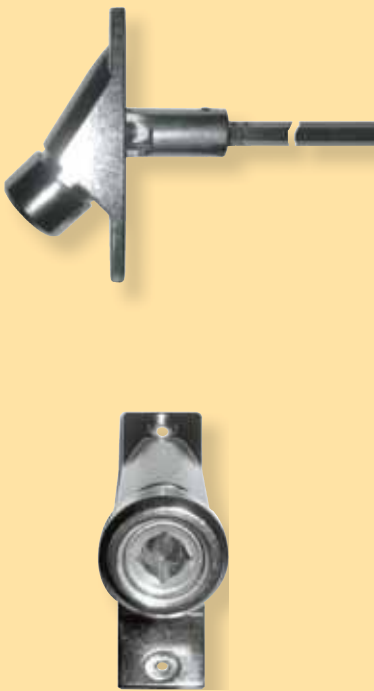
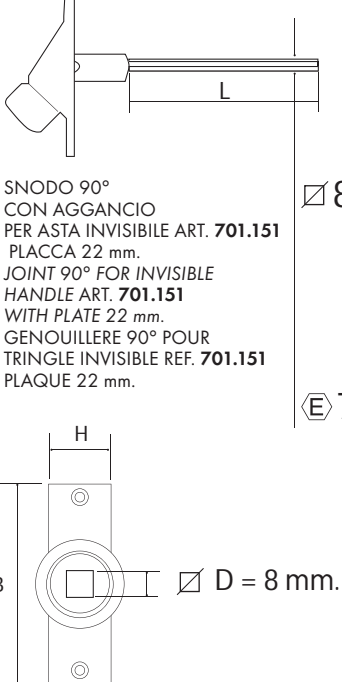


DISEGNO / DRAWING / DESSIN	DESCRIZIONE / DESCRIPTION / DESCRIPTION	CODICE ARTICOLO REFERENCE	DIMENSIONI DIMENSIONS DIMENSIONS	IMB. PCKG. EMB.
	<p>SOLO ASTA DI MANOVRA ONLY HANDLE TRINGLE SEULE</p> <p>1 TUBO IN ACCIAIO RIVESTITO CON TUBO PVC PLASTIC-COATED STEEL TUBE TUBE EN ACIER REVETI AVEC TUBE PVC</p> <p>2 MANIGLIA IN LEGA DI ALLUMINIO HANDLE IN ALUMINIUM ALLOY MANIVELLE EN ALLIAGE D'ALUMINIUM</p>	<p>709.141**</p> <p>709.142**</p> <p>709.143**</p> <p>709.144**</p> <p>709.145**</p>	<p>A = 165 mm. H = 1500 mm.</p> <p>A = 165 mm. H = 1700 mm.</p> <p>A = 165 mm. H = 1800 mm.</p> <p>A = 165 mm. H = 2200 mm.</p> <p>A = 165 mm. H = 3000 mm.</p>	<p>20</p> <p>20</p> <p>20</p> <p>20</p> <p>20</p>
	<p>COLORI DISPONIBILI / AVAILABLE COLOURS COULEURS DISPONIBLES</p> <p> BIANCO WHITE BLANC </p> <p> NERO BLACK NOIR </p> <p> GRIGIO GREY GRIS </p> <p> MARRONE BROWN MARRON </p>			



DISEGNO / DRAWING / DESSIN	DESCRIZIONE / DESCRIPTION / DESCRIPTION	CODICE ARTICOLO REFERENCE	DIMENSIONI DIMENSIONS DIMENSIONS	IMB. PKKG. EMB.								
	<p>$D = \varnothing 8 \text{ mm.}$ $\varnothing 8$</p> <p>ASTA DI MANOVRA SNODATA PER SNODO INVISIBILE ART. 723.350 JOINTED HANDLE FOR ART. 723.350 TRINGLE POUR GENOUILLERE REF.723.350</p> <p>1 TUBO IN ACCIAIO RIVESTITO CON TUBO PVC PLASTIC-COATED STEEL TUBE TUBE EN ACIER REVETI AVEC TUBE PVC</p> <p>2 MANIGLIA IN LEGA DI ALLUMINIO HANDLE IN ALUMINIUM ALLOY MANIVELLE EN ALLIAGE D'ALUMINIUM</p> <p>COLORI DISPONIBILI / AVAILABLE COLOURS COULEURS DISPONIBLES</p> <table border="0"> <tr> <td></td> <td></td> <td></td> <td></td> </tr> <tr> <td>BIANCO WHITE BLANC</td> <td>NERO BLACK NOIR</td> <td>GRIGIO GREY GRIS</td> <td>MARRONE BROWN MARRON</td> </tr> </table>					BIANCO WHITE BLANC	NERO BLACK NOIR	GRIGIO GREY GRIS	MARRONE BROWN MARRON	<p>701.151**</p>	<p>A = 165 mm. L = 31,5 mm. D = $\varnothing 8$ mm. H = 1500 mm.</p>	<p>20</p>
												
BIANCO WHITE BLANC	NERO BLACK NOIR	GRIGIO GREY GRIS	MARRONE BROWN MARRON									



DISEGNO / DRAWING / DESSIN	DESCRIZIONE / DESCRIPTION / DESCRIPTION	CODICE ARTICOLO REFERENCE	DIMENSIONI DIMENSIONS DIMENSIONS	IMB. PKG. EMB.
	<p>SNODO 45° CON AGGANCIO PER ASTA INVISIBILE ART. 701.151 JOINT 45° FOR INVISIBLE HANDLE ART. 701.151 GENOUILLERE 45° POUR TRINGLE INVISIBLE REF. 701.151</p> <p>$\varnothing 8$</p> <p>$\text{E} 7$</p> <p>$\text{E} 7$</p> <p>D = $\varnothing 8$ mm. D = $\text{E} 7$ mm.</p> 	<p>723.350</p> <p>723.351</p> <p>723.352</p>	<p>L = 350 mm. D = $\varnothing 8$ mm. H = 36 mm. B = 70 mm.</p> <p>L = 350 mm. D = $\text{E} 7$ mm. H = 36 mm. B = 70 mm.</p> <p>L = 450 mm. D = $\text{E} 7$ mm. H = 36 mm. B = 70 mm.</p>	<p>25</p> <p>25</p> <p>25</p>
	<p>SNODO 90° CON AGGANCIO PER ASTA INVISIBILE ART. 701.151 PLACCA 22 mm. JOINT 90° FOR INVISIBLE HANDLE ART. 701.151 WITH PLATE 22 mm. GENOUILLERE 90° POUR TRINGLE INVISIBLE REF. 701.151 PLAQUE 22 mm.</p> <p>$\varnothing 8$</p> <p>$\text{E} 7$</p> <p>$\varnothing D = 8$ mm.</p> 	<p>723.353</p> <p>723.354</p>	<p>L = 450 mm. D = $\varnothing 8$ mm. H = 22 mm. B = 85 mm.</p> <p>L = 450 mm. D = $\text{E} 7$ mm. H = 22 mm. B = 85 mm.</p>	<p>25</p> <p>25</p>

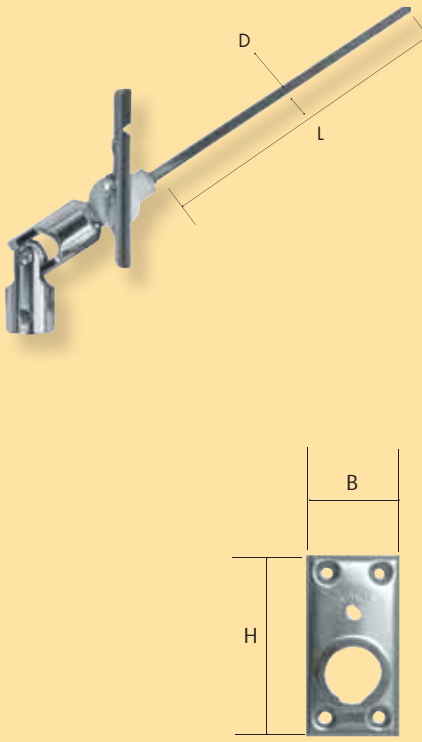
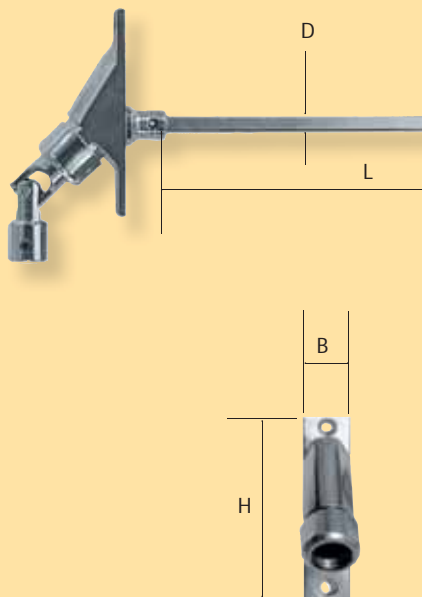


DISEGNO / DRAWING / DESSIN	DESCRIZIONE / DESCRIPTION / DESCRIPTION	CODICE ARTICOLO REFERENCE	DIMENSIONI DIMENSIONS DIMENSIONS	IMB. PCKG. EMB.				
	<p>ASTA DI MANOVRA SNODATA CON GANCIO JOINTED HANDLE WITH HOOK TRINGLE AVEC CROCHET</p> <p>1 TUBO IN ACCIAIO RIVESTITO CON TUBO PVC PLASTIC-COATED STEEL TUBE TUBE EN ACIER REVETI AVEC TUBE PVC</p> <p>2 MANIGLIA IN LEGA DI ALLUMINIO HANDLE IN ALUMINIUM ALLOY MANIVELLE EN ALLIAGE D'ALUMINIUM</p> <p>COLORI DISPONIBILI / AVAILABLE COLOURS COULEURS DISPONIBLES</p> <table border="0"> <tr> <td> BIANCO WHITE BLANC</td> <td> NERO BLACK NOIR</td> <td> GRIGIO GREY GRIS</td> <td> MARRONE BROWN MARRON</td> </tr> </table>	BIANCO WHITE BLANC	NERO BLACK NOIR	GRIGIO GREY GRIS	MARRONE BROWN MARRON	<p>709.146**</p> <p>709.147G**</p> <p>709.147**</p> <p>709.148**</p> <p>709.149**</p>	<p>A = 165 mm. H = 1500 mm.</p> <p>A = 165 mm. H = 1700 mm.</p> <p>A = 165 mm. H = 1800 mm.</p> <p>A = 165 mm. H = 2200 mm.</p> <p>A = 165 mm. H = 3000 mm.</p>	<p>20</p> <p>20</p> <p>20</p> <p>20</p> <p>20</p>
BIANCO WHITE BLANC	NERO BLACK NOIR	GRIGIO GREY GRIS	MARRONE BROWN MARRON					
	<p>ASTA DI MANOVRA FISSA CON GANCIO IN ACCIAIO FIXED HANDLE WITH HOOK IN STEEL TRINGLE FIXE AVEC CROCHET EN ACIER</p> <p>COLORI DISPONIBILI / AVAILABLE COLOURS COULEURS DISPONIBLES</p> <table border="0"> <tr> <td> BIANCO WHITE BLANC</td> <td> NERO BLACK NOIR</td> <td> GRIGIO GREY GRIS</td> <td> MARRONE BROWN MARRON</td> </tr> </table>	BIANCO WHITE BLANC	NERO BLACK NOIR	GRIGIO GREY GRIS	MARRONE BROWN MARRON	<p>702.150**</p> <p>702.180**</p> <p>702.200**</p>	<p>H = 1500</p> <p>H = 1800</p> <p>H = 2000</p>	<p>10</p> <p>10</p> <p>10</p>
BIANCO WHITE BLANC	NERO BLACK NOIR	GRIGIO GREY GRIS	MARRONE BROWN MARRON					

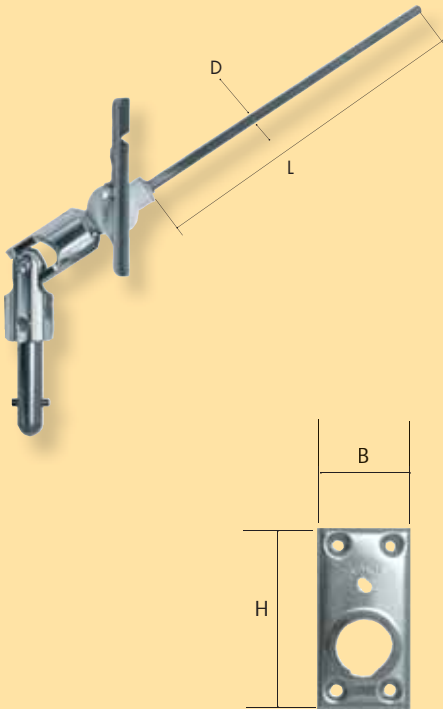
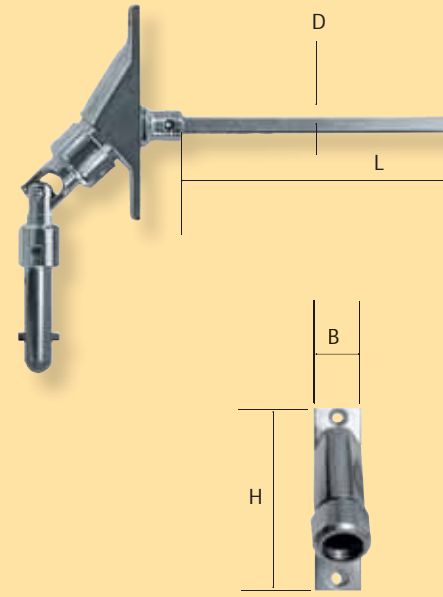


DISEGNO / DRAWING / DESSIN	DESCRIZIONE / DESCRIPTION / DESCRIPTION	CODICE ARTICOLO REFERENCE	DIMENSIONI DIMENSIONS DIMENSIONS	IMB. PCKG. EMB.
	CON PLACCA IN LEGA DI ALLUMINIO WITH PLATE IN ALUMINIUM ALLOY AVEC PLAQUE EN ALLIAGE D'ALUMINIUM	$\text{E} 7$	703.250E7 L = 250 mm. D = $\text{E} 7$ mm. H = 52 mm. B = 27 mm.	25
	SNODO 45° CON OCCHIOLO PLACCA 4 FORI JOINT 45° WITH EYE GENOUILLE 45° AVEC OEILLET PLAQUE 4 TROU	$\text{E} 7$	704.250E7 L = 250 mm. D = $\text{E} 7$ mm. H = 70 mm. B = 36 mm.	25
		$\text{E} 7$	704.250 L = 250 mm. D = $\text{E} 7$ mm. H = 70 mm. B = 36 mm.	25
		$\text{E} 7$	704.300 L = 300 mm. D = $\text{E} 8$ mm. H = 70 mm. B = 36 mm.	25
		$\text{E} 7$	704.400 L = 400 mm. D = $\text{E} 8$ mm. H = 70 mm. B = 36 mm.	25
		$\text{E} 7$	705.400 L = 400 mm. D = $\text{E} 8$ mm. H = 85 mm. B = 22 mm.	25
		$\text{E} 7$	705.401E7 L = 400 mm. D = $\text{E} 7$ mm. H = 85 mm. B = 22 mm.	25
		$\text{E} 7$	705.600 L = 500 mm. D = $\text{E} 8$ mm. H = 85 mm. B = 22 mm.	25
	SNODO 90° CON OCCHIOLO JOINT 90° WITH EYE GENOUILLE 90° AVEC OEILLET	$\text{E} 7$	705.600E7 L = 500 mm. D = $\text{E} 7$ mm. H = 85 mm. B = 22 mm.	25

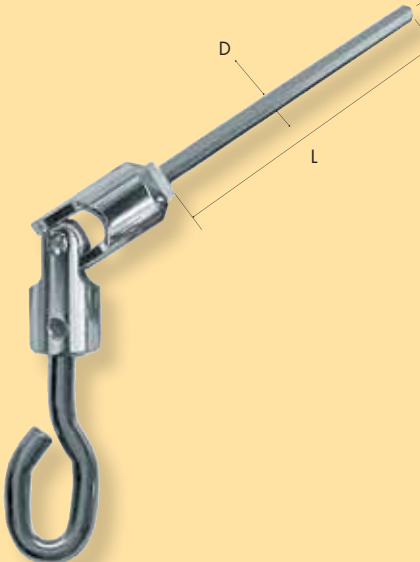

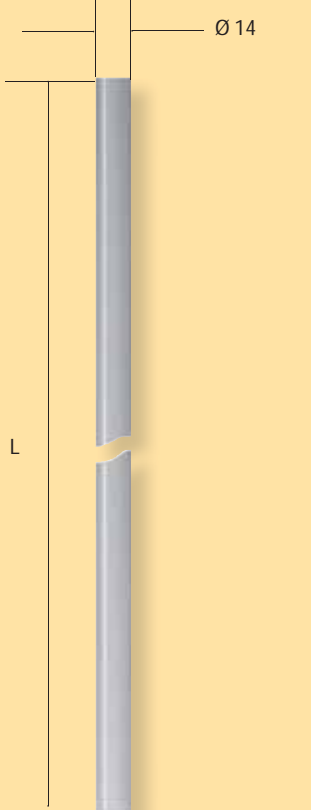


























DISEGNO / DRAWING / DESSIN	DESCRIZIONE / DESCRIPTION / DESCRIPTION	CODICE ARTICOLO REFERENCE	DIMENSIONI DIMENSIONS DIMENSIONS	IMB. PKKG. EMB.
 <p>D = \varnothing 6 mm. \varnothing 8 mm. E 7 mm.</p> <p>SNODO 45° IN ACCIAIO PLACCA GRANDE JOINT 45° BIG PLATE GENOUILLERE 45° EN ACIER PLAQUE GRANDE</p>	<p>\varnothing 8</p> <p>E 7</p> <p>\varnothing 8</p>	<p>706.250</p> <p>706.250E7</p> <p>706.500ST</p>	<p>L = 250 mm. D = \varnothing 8 mm. H = 70 mm. B = 36 mm.</p> <p>L = 250 mm. D = E 7 mm. H = 70 mm. B = 36 mm.</p> <p>L = 400 mm. D = \varnothing 8 mm. H = 70 mm. B = 36 mm.</p>	<p>25</p> <p>25</p> <p>25</p>
 <p>D = \varnothing 8 mm. E 7 mm.</p> <p>SNODO 90° IN ACCIAIO NICHELATO JOINT 90° GENOUILLERE 90° EN ACIER NICKELE</p>	<p>\varnothing 8</p> <p>E 7</p> <p>E 7</p>	<p>707.400</p> <p>707.400E7</p> <p>707.402E7</p>	<p>L = 400 mm. D = \varnothing 8 mm. H = 85 mm. B = 22 mm.</p> <p>L = 400 mm. D = E 7 mm. H = 85 mm. B = 22 mm.</p> <p>L = 400 mm. D = E 7 mm. H = 85 mm. B = 22 mm.</p>	<p>25</p> <p>25</p> <p>25</p>

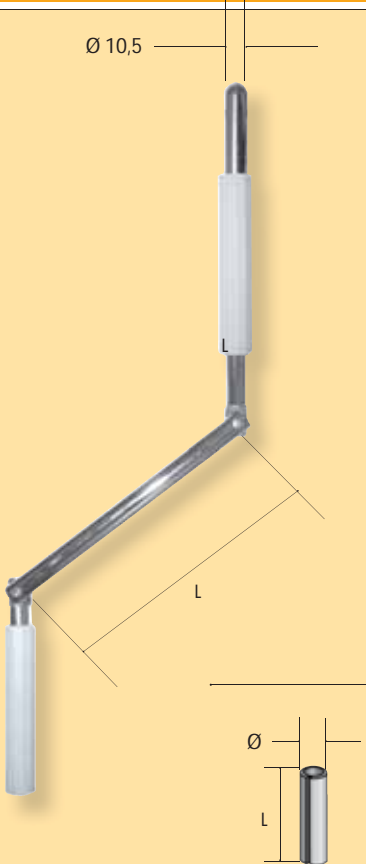




DISEGNO / DRAWING / DESSIN	DESCRIZIONE / DESCRIPTION / DESCRIPTION	CODICE ARTICOLO REFERENCE	DIMENSIONI DIMENSIONS DIMENSIONS	IMB. PKG. EMB.
	<p>D = \varnothing 8 mm. $\langle E \rangle$ 7 mm.</p> <p>SNODO 45° CON PIN E PLACCA PICCOLA JOINT 45° WITH PIN LITTLE PLATE GENOUILLERE 45° AVEC PIN PLAQUE PETITE</p> <p>SNODO 45° CON PIN E PLACCA GRANDE JOINT 45° WITH PIN BIG PLATE GENOUILLERE 45° AVEC PIN PLAQUE LARGE</p>	<p>\varnothing 8 720.250</p> <p>$\langle E \rangle$ 7 720.250E7</p> <p>\varnothing 8 720.500</p> <p>$\langle E \rangle$ 7 720.500E7</p>	<p>L = 250 mm. D = \varnothing 8 mm. H = 78 mm. B = 26 mm.</p> <p>L = 250 mm. D = $\langle E \rangle$ 7 mm. H = 78 mm. B = 26 mm.</p> <p>L = 250 mm. D = \varnothing 8 mm. H = 70 mm. B = 36 mm.</p> <p>L = 250 mm. D = $\langle E \rangle$ 7 mm. H = 70 mm. B = 36 mm.</p>	<p>25</p> <p>25</p> <p>25</p> <p>25</p>
	<p>D = \varnothing 8 mm. $\langle E \rangle$ 7 mm.</p> <p>SNODO 90° CON PIN JOINT 90° WITH PIN GENOUILLERE 90° AVEC PIN</p>	<p>\varnothing 8 721.250</p> <p>$\langle E \rangle$ 7 721.250E7</p>	<p>L = 400 mm. D = \varnothing 8 mm. H = 85 mm. B = 22 mm.</p> <p>L = 400 mm. D = $\langle E \rangle$ 7 mm. H = 85 mm. B = 22 mm.</p>	<p>25</p> <p>25</p>



DISEGNO / DRAWING / DESSIN	DESCRIZIONE / DESCRIPTION / DESCRIPTION	CODICE ARTICOLO REFERENCE	DIMENSIONI DIMENSIONS DIMENSIONS	IMB. PCKG. EMB.								
	<p>FILETTO THREAD FILET M4</p> <p>DOPPIO SNODO 45° CON OCCHIOLO </p> <p>DOUBLE JOINT 45° WITH EYE</p> <p>DOUBLE GENOUILLERE 45° AVEC OEILLET</p>	<p>705.402E7</p>	<p>L = 105 mm.</p>	<p>25</p>								
	<p>TUBO IN ACCIAIO PLASTIFICATO PLASTICIZED STEEL TUBE TUBE EN ACIER PLASTIFIE</p> <p>COLORI DISPONIBILI / AVAILABLE COLOURS COULEURS DISPONIBLES</p> <table border="0"> <tr> <td> BIANCO WHITE BLANC</td> <td> NERO BLACK NOIR</td> <td> GRIGIO GREY GRIS</td> <td> MARRONE BROWN MARRON</td> </tr> </table> <p>TUBO IN ALLUMINIO VERNICIATO PAINTED ALUMINIUM TUBE TUBE EN ALUMINIUM LAQUE</p> <p>COLORI DISPONIBILI / AVAILABLE COLOURS COULEURS DISPONIBLES</p> <table border="0"> <tr> <td> BIANCO WHITE BLANC</td> <td> NERO BLACK NOIR</td> <td> GRIGIO GREY GRIS</td> <td> MARRONE BROWN MARRON</td> </tr> </table>	 BIANCO WHITE BLANC	 NERO BLACK NOIR	 GRIGIO GREY GRIS	 MARRONE BROWN MARRON	 BIANCO WHITE BLANC	 NERO BLACK NOIR	 GRIGIO GREY GRIS	 MARRONE BROWN MARRON	<p>708.120** L = 1200 - Ø 14</p> <p>708.140** L = 1400 - Ø 14</p> <p>708.150** L = 1500 - Ø 14</p> <p>708.190** L = 1900 - Ø 14</p> <p>708.300** L = 3000 - Ø 14</p> <p>708.120ALU** L = 1200 - Ø 14</p> <p>708.140ALU** L = 1400 - Ø 14</p> <p>708.150ALU** L = 1500 - Ø 14</p> <p>708.190ALU** L = 1900 - Ø 14</p> <p>708.300ALU** L = 3000 - Ø 14</p>	<p>L = 1200 - Ø 14</p> <p>L = 1400 - Ø 14</p> <p>L = 1500 - Ø 14</p> <p>L = 1900 - Ø 14</p> <p>L = 3000 - Ø 14</p> <p>L = 1200 - Ø 14</p> <p>L = 1400 - Ø 14</p> <p>L = 1500 - Ø 14</p> <p>L = 1900 - Ø 14</p> <p>L = 3000 - Ø 14</p>	<p>10</p> <p>10</p> <p>10</p> <p>10</p> <p>10</p> <p>10</p> <p>10</p> <p>10</p> <p>10</p> <p>10</p>
 BIANCO WHITE BLANC	 NERO BLACK NOIR	 GRIGIO GREY GRIS	 MARRONE BROWN MARRON									
 BIANCO WHITE BLANC	 NERO BLACK NOIR	 GRIGIO GREY GRIS	 MARRONE BROWN MARRON									



DISEGNO / DRAWING / DESSIN	DESCRIZIONE / DESCRIPTION / DESCRIPTION	CODICE ARTICOLO REFERENCE	DIMENSIONI DIMENSIONS DIMENSIONS	IMB. PCKG. EMB.
	<p>MANIGLIA IN LEGA DI ALLUMINIO HANDLE IN ALUMINIUM ALLOYS MANIVELLE EN ALLIAGE D'ALUMINIUM</p> <p>PER TUBO FOR TUBE POUR TUBE \varnothing 14</p>	<p>709.140**</p>	<p>L = 165</p>	<p>25</p>
	<p>MANIGLIA IN ALLUMINIO VERNICIATO PAINTED ALUMINIUM HANDLE MANIVELLE EN ALUMINIUM LAQUE</p> <p>PER TUBO FOR TUBE POUR TUBE \varnothing 14</p>	<p>709.145**</p>	<p>L = 165</p>	<p>25</p>
	<p>COLORI DISPONIBILI / AVAILABLE COLOURS COULEURS DISPONIBLES</p> <p>  BIANCO WHITE BLANC  GRIGIO GREY GRIS </p>			
	<p>SPINA ELASTICA ZINCATA ZINC-PLATED PIN GOUPILLE ZINGUEE</p>	<p>709.142</p>	<p>\varnothing = 4 mm L = 18 mm</p>	<p>1000</p>


100% MADE IN ITALY

DISEGNO / DRAWING / DESSIN	DESCRIZIONE / DESCRIPTION / DESCRIPTION	CODICE ARTICOLO REFERENCE	DIMENSIONI DIMENSIONS DIMENSIONS	IMB. PCKG. EMB.
	<p>MANIGLIA IN ALLUMINIO SNODATA PER ARGANELLI ALUMINIUM JOINTED HANDLE FOR WINCHES POIGNEE EN ALUMINIUM POUR TREUIL</p> <p>PER ART. FOR CODE POUR REF. 606.103** 608.102**</p>  <p>PER ART. FOR CODE POUR REF. 606.111** 606.140* 606.144** 607.140** 608.102** 608.112** 608.144** 609.144**</p> <p>COLORI DISPONIBILI / AVAILABLE COLOURS COULEURS DISPONIBLES</p> <p>○ BIANCO WHITE BLANC ● CREMA IVORY CREME</p>	<p>710.140**</p> <p>PER ARGANELLI FOR WINCHES POUR TREUIL 30 KG.</p>	A = 120	25
		<p>710.165**</p> <p>PER ARGANELLI FOR WINCHES POUR TREUIL 40/50/80 100 KG.</p>	A = 160	25
	<p>MANIGLIA IN ALLUMINIO SNODATA PER ARGANELLI ALUMINIUM JOINTED HANDLE FOR WINCHES POIGNEE EN ALUMINIUM POUR TREUIL</p> <p>PER ART. FOR CODE POUR REF. 606.103** 608.102**</p>  <p>PER ART. FOR CODE POUR REF. 606.111** 606.140* 606.144** 607.140** 608.102** 608.112** 608.144** 609.144**</p> <p>COLORI DISPONIBILI / AVAILABLE COLOURS COULEURS DISPONIBLES</p> <p>○ BIANCO WHITE BLANC ● CREMA IVORY CREME</p>	<p>710.141**</p> <p>PER ARGANELLI FOR WINCHES POUR TREUIL 30 KG.</p>	A = 120	25
		<p>710.166**</p> <p>PER ARGANELLI FOR WINCHES POUR TREUIL 30 KG.</p>	A = 140	25

DISEGNO / DRAWING / DESSIN	DESCRIZIONE / DESCRIPTION / DESCRIPTION	CODICE ARTICOLO REFERENCE	DIMENSIONI DIMENSIONS DIMENSIONS	IMB. PCKG. EMB.
	<p>PLACCA FISSAGGIO SNODI A 90° JOINT FIXING PLATE 90° PLAQUE DE FIXAGE GENOUILLERE 90°</p> <p>PER ART. FOR CODE POUR REF. 701.** 705.** 707.** 721.**</p>	<p>712.85</p> <p>712.90</p>	<p>L = 85 H = 85</p> <p>L = 40 H = 85</p>	<p>50</p> <p>50</p>
	<p>CAMPANA PER SNODO CON PIN JOINT CLOCHE POUR GENOUILLERE AVEC PIN</p>	<p>703.64</p>	<p>B = Ø 14 H = 64 C = Ø 32</p>	<p>50</p>
	<p>PIN PER CAMPANA PIN FOR JOINT PIN POUR CLOCHE</p> <p>PIN PER CAMPANA IN ACCIAIO INOX INOX STEEL PIN FOR JOINT PIN POUR CLOCHE EN ACIER INOX</p> <p>PER ART. FOR CODE POUR REF. 706.64**</p> <p>PER ART. FOR CODE POUR REF. 706.64**</p>	<p>703.65</p> <p>703.68</p>	<p>B = Ø 14 H = 64</p> <p>B = Ø 14 H = 64</p>	<p>50</p> <p>50</p>
	<p>OCCHIOLO PLASTIFICATO PLASTIFIED EYE OEIL EN PVC</p> <p>OCCHIOLO PLASTIFICATO PLASTIFIED EYE OEIL EN PVC</p>	<p>Ø 8</p> <p>⊕ 7</p> <p>703.66</p> <p>703.69</p>	<p>L = 67</p> <p>L = 67</p>	<p>25</p> <p>25</p>